



# GLAZED WOOD ENTRY DOOR DOUBLES w/ or w/out SIDELITES

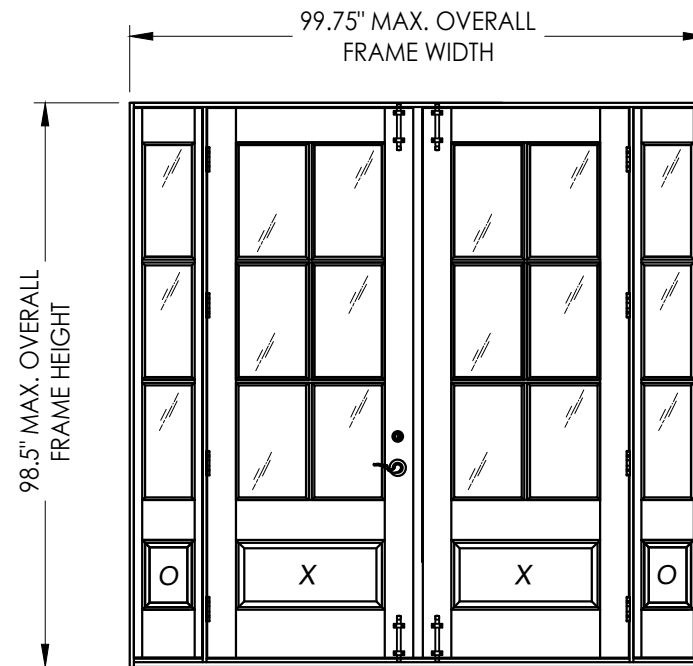
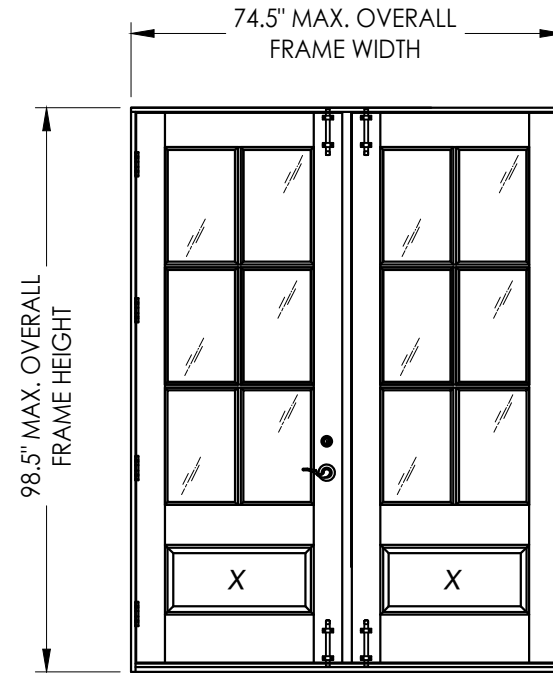
**INSWING  
"NON-IMPACT"**

### GENERAL NOTES

1. This product has been evaluated and is in compliance with the 8th Edition (2023) Florida Building Code (FBC) structural requirements excluding the "High Velocity Hurricane Zone" (HVHZ).
2. Product anchors shall be as listed and spaced as shown on details. Anchor embedment to base material shall be beyond wall dressing or stucco.
3. When used in areas requiring wind borne debris protection, this product is required to be protected with an impact resistant covering that complies with FBC Sections 1609.1.2 & R301.2.1.2.
4. For 2x stud framing construction, anchoring of these units shall be the same as that shown for 2x buck masonry construction.
5. Site conditions that deviate from the details of this drawing require further engineering analysis by a licensed engineer or registered architect.

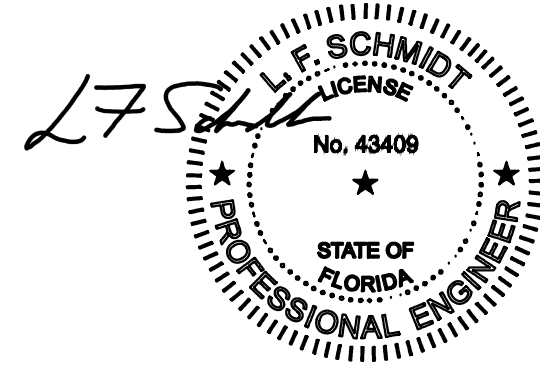
### TABLE OF CONTENTS

SHEET #	DESCRIPTION
1	Typical Elevations, Design Pressures & General Notes
2	Door Panel Details
3	Sidelite Panel Details
4	Door Glazing & Panel Details
5	Elevations
6	Horizontal & Vertical Cross Sections (2X Buck)
7	Horizontal & Vertical Cross Sections (1X Buck)
8	Horizontal & Vertical Cross Sections (Direct to Masonry)
9	Horizontal & Vertical Cross Sections
10	Buck Anchoring
11	Frame Anchoring & Hardware Details
12	Bill of Materials & Components



### CONTINUOUS HEAD & SILL

CONFIGURATION	MAX. FRAME DIMENSION	SURFACE BOLTS REQUIRED ON ACTIVE DOOR	DESIGN PRESSURE (PSF) INSWING	
			POSITIVE	NEGATIVE
XX	74.5" x 98.5"	NO	+25.0	-30.0
		YES	+45.0	-50.0
OXXO	99.75" x 98.5"	NO	+25.0	-30.0
		YES	+45.0	-50.0



This item has been digitally signed and sealed by L. F. Schmidt, P.E. on the date adjacent to the seal. Printed copies of this document are not considered signed and sealed and the signature must be verified on any electronic copies.

THIS PRODUCT APPROVAL IS VALID ONLY FOR THE STATE OF FLORIDA

Documents Prepared By:  
Lyndon F. Schmidt  
P.E. No. 43409

BUILDING CONSULTANTS, INC.  
P.O. Box 230, Valrico, FL 33595  
Phone No.: 813.659.9197  
FBPE Registry No. 9813

RW

PRODUCT: DOORSCAPES FIBERGLASS DOOR

PART OR ASSEMBLY: TYPICAL ELEVATION, DESIGN PRESSURES & GENERAL NOTES

NO.	DATE	BY	LFS
1	8/02/23	FBC	BY
UPDATE TO 8TH ED. (2023)			
REVISIONS			

DATE: 3/07/22

SCALE: N.T.S.

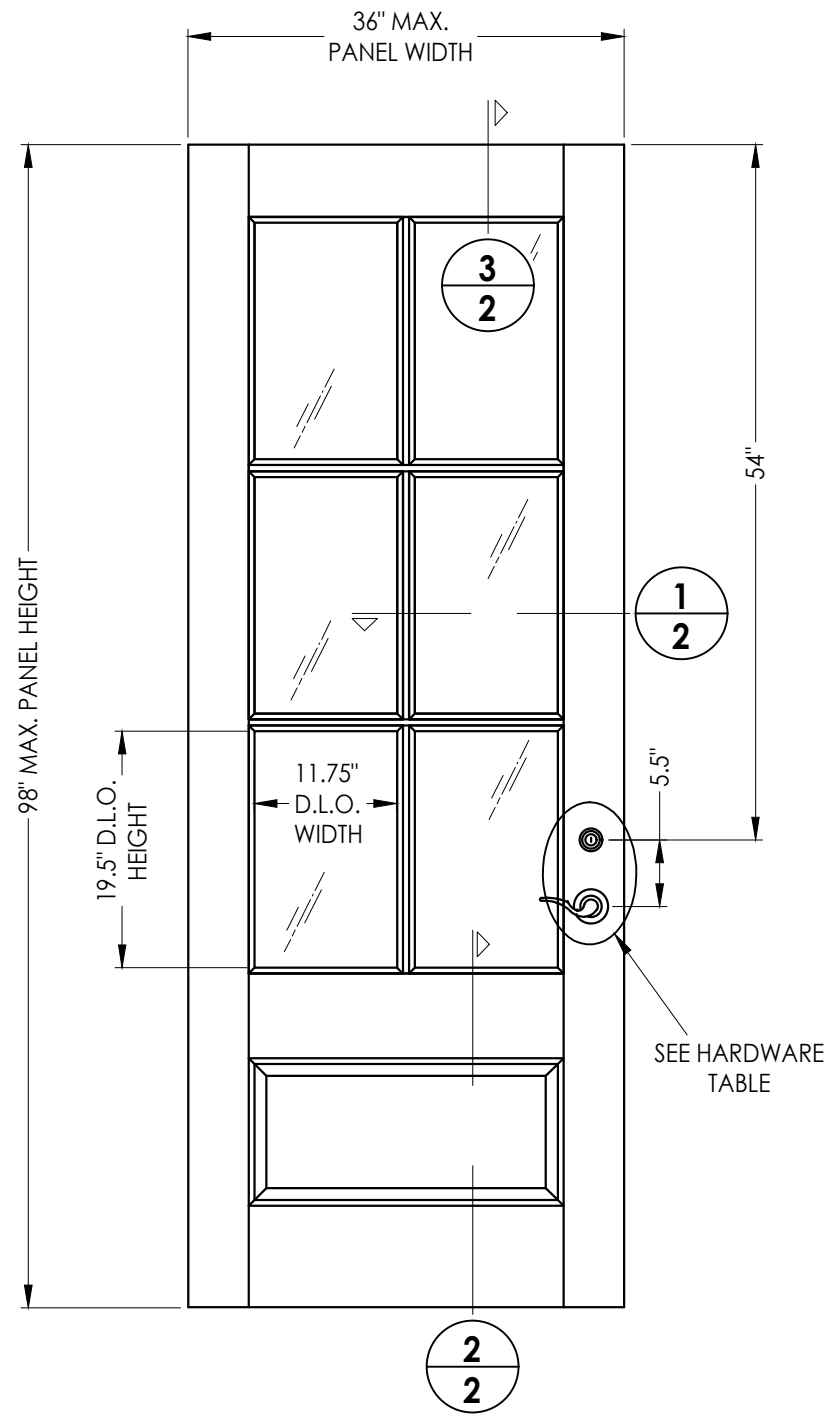
DWG. BY: LFS

CHK. BY: RW

DRAWING NO.:

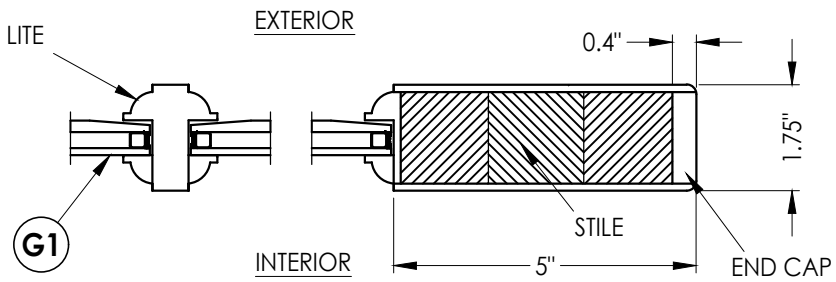
FL-28833.3

SHEET 1 of 12

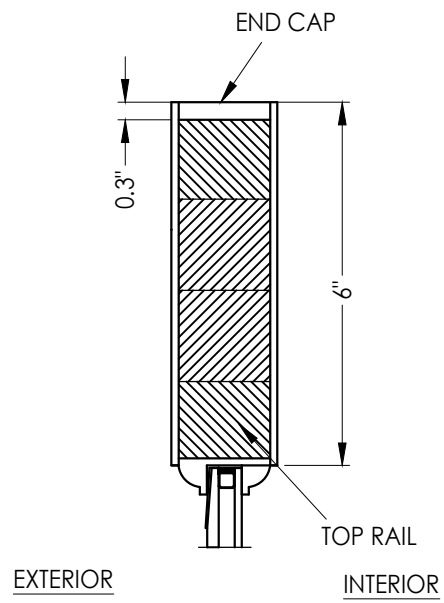


**40 WOOD DOOR PANEL**  
Doorscapes

WOOD DOOR COMPONENTS:  
OUTER VANEER (3mm) & END CAPS: ALDER (G= 0.4 MIN.)  
CORE: PINE (G= 0.4 MIN.)

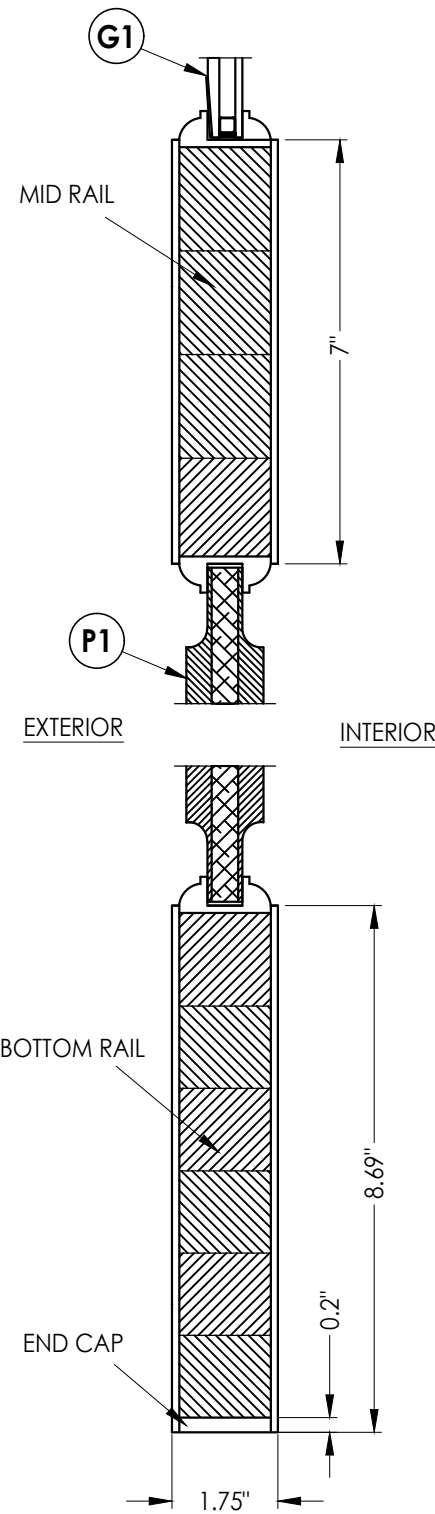


**1 HORIZONTAL CROSS SECTION**



**3 VERTICAL CROSS SECTION**

HARDWARE TABLE	
MANUFACTURER	MODEL
YALE	LEVER: YALE EDGE SERIES DEADBOLT: YALE EDGE SERIES



**2 VERTICAL CROSS SECTION**

Documents Prepared By:  
Lyndon F. Schmidt  
P.E. No. 43409

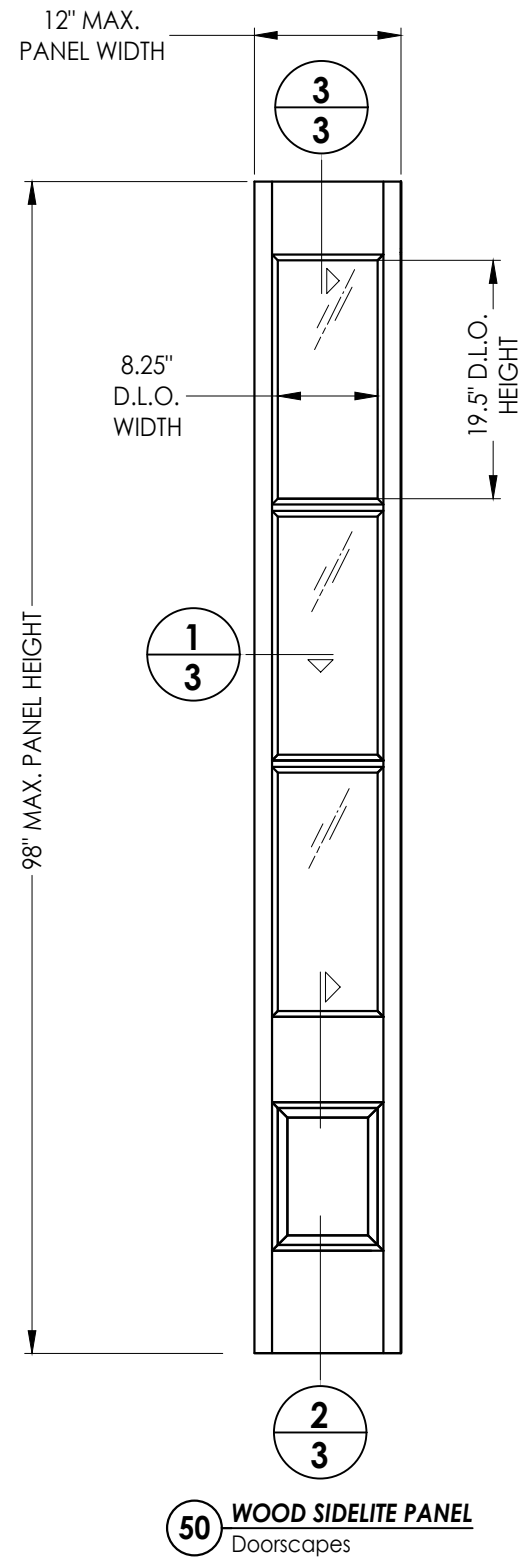
**RW**  
BUILDING CONSULTANTS, INC.  
P.O. Box 230, Valrico, FL 33595  
Phone No.: 813.659.9197  
FBPE Registry No. 9813

PRODUCT: DOORSCAPES  
FIBERGLASS DOOR

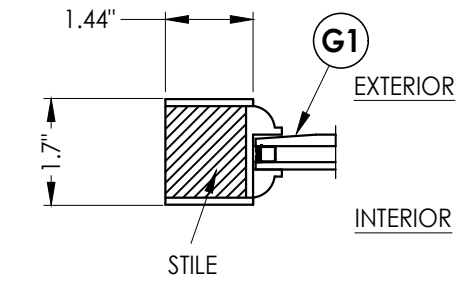
PART OR ASSEMBLY:  
DOOR PANEL DETAILS

NO.	DATE	BY	REVISIONS
1	8/02/23	LFS	UPDATE TO 8TH ED. (2023)

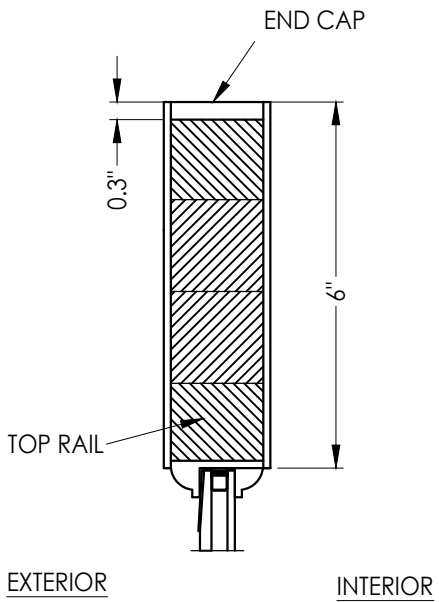
DATE: 3/07/22  
SCALE: N.T.S.  
DWG. BY: LFS  
CHK. BY: RW  
DRAWING NO.: FL-28833.3  
SHEET 2 OF 12



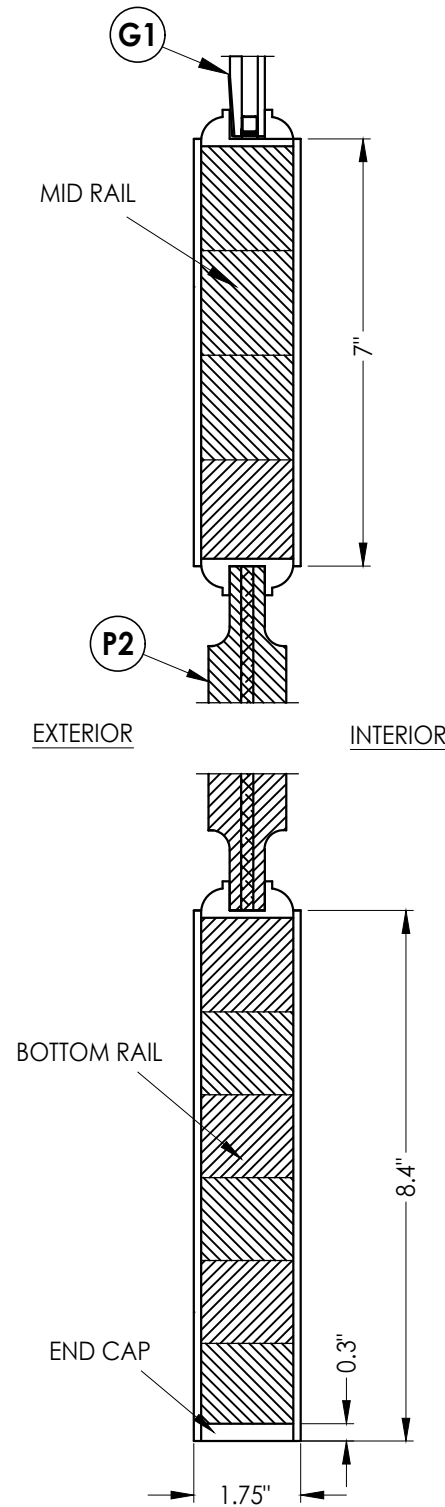
WOOD SIDELITE COMPONENTS:  
 OUTER VANEER (3mm) & END CAPS: ALDER (G= 0.4 MIN.)  
 CORE: PINE (G= 0.4 MIN.)



**1**  
**3** VERTICAL CROSS SECTION



**3**  
**3** VERTICAL CROSS SECTION



**2**  
**3** VERTICAL CROSS SECTION

Documents Prepared By:  
 Lyndon F. Schmidt  
 P.E. No. 43409

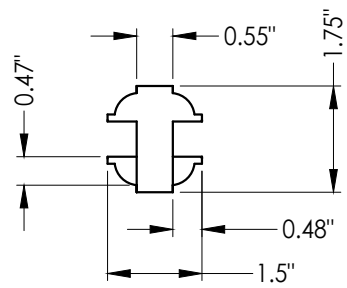
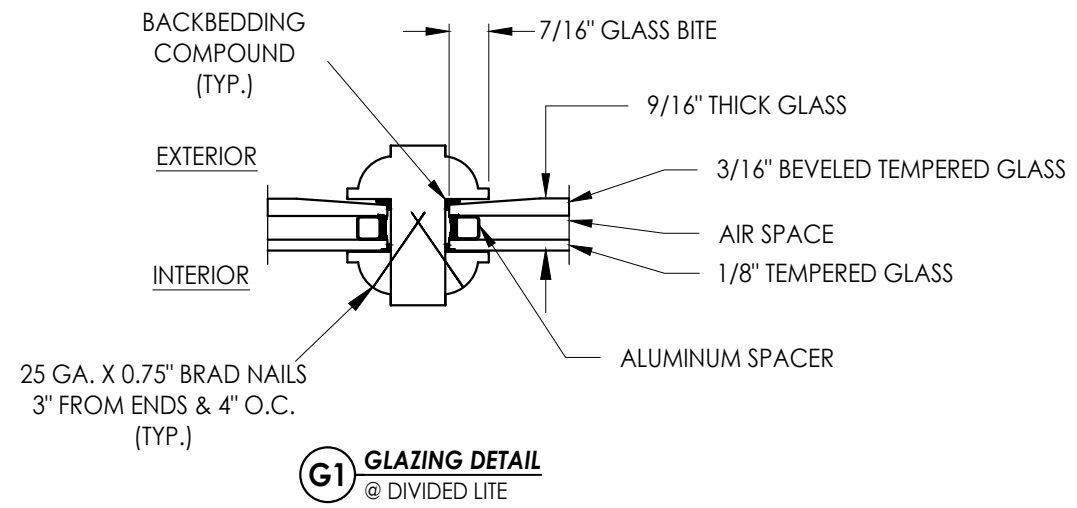
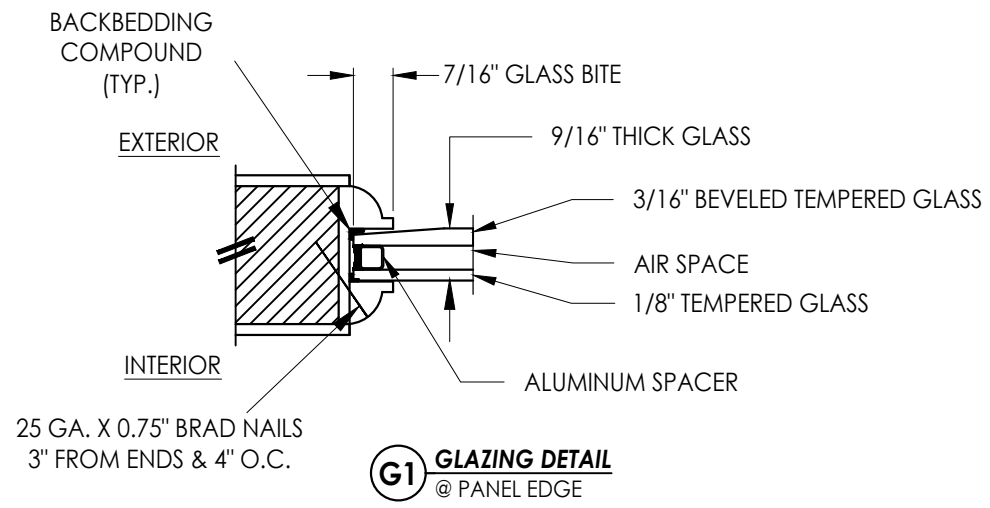
**RW** BUILDING CONSULTANTS, INC.  
 P.O. Box 230, Vairico, FL 33595  
 Phone No.: 813.659.9197  
 FBPE Registry No. 9813

PRODUCT: DOORSCAPES  
 FIBERGLASS DOOR

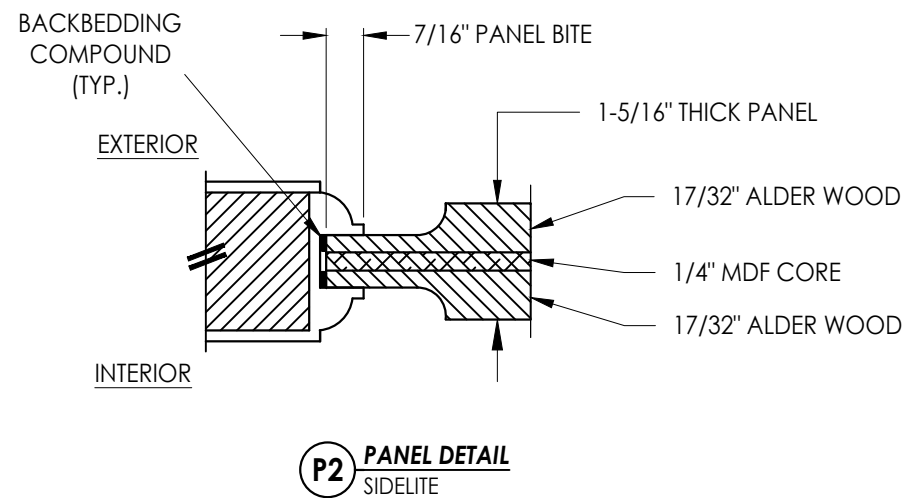
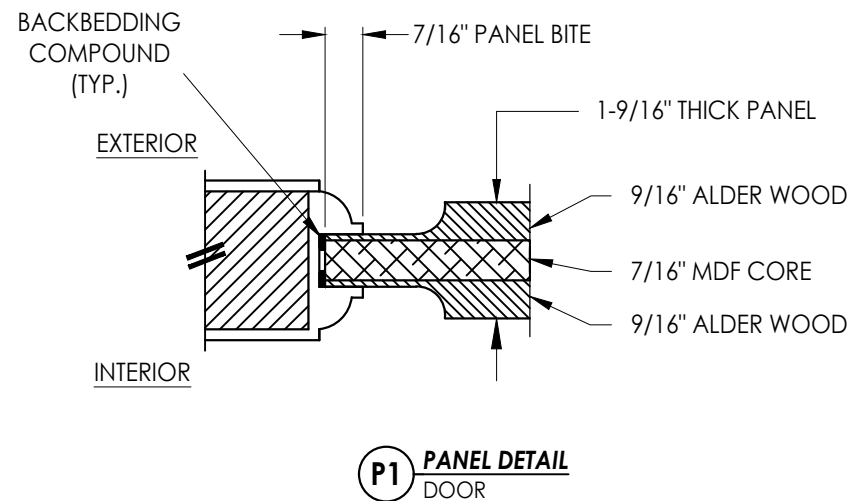
PART OR ASSEMBLY:  
 SIDELITE PANEL DETAILS

NO.	DATE	BY	REVISIONS
1	8/02/23	LFS	UPDATE TO 8TH ED. (2023) FBC

DATE: 3/07/22  
 SCALE: N.T.S.  
 DWG. BY: LFS  
 CHK. BY: RW  
 DRAWING NO.: FL-28833.3  
 SHEET 3 OF 12



TRUE DIVIDED LITE MUNTIN



Documents Prepared By:  
Lyndon F. Schmidt  
P.E. No. 43409

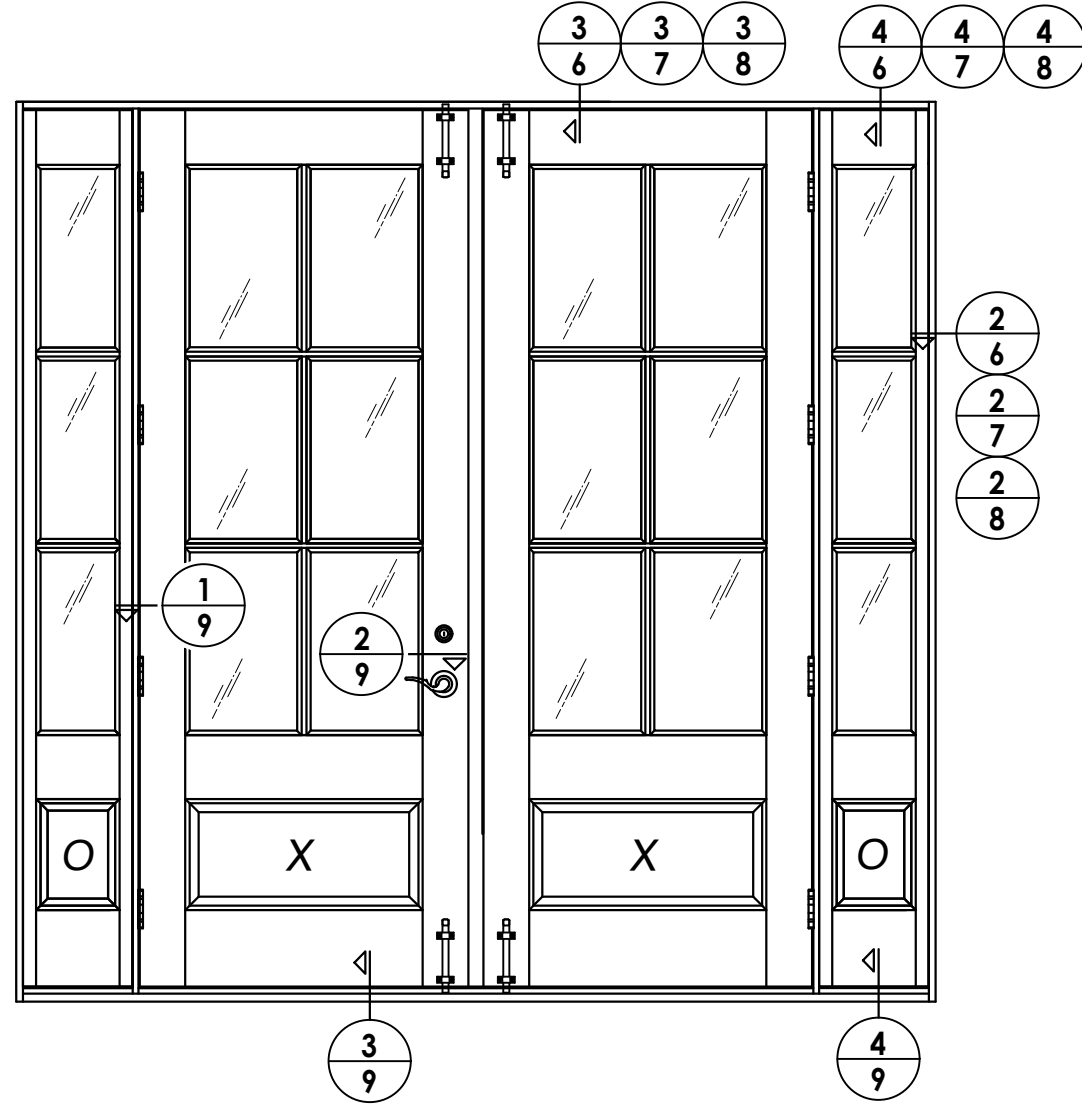
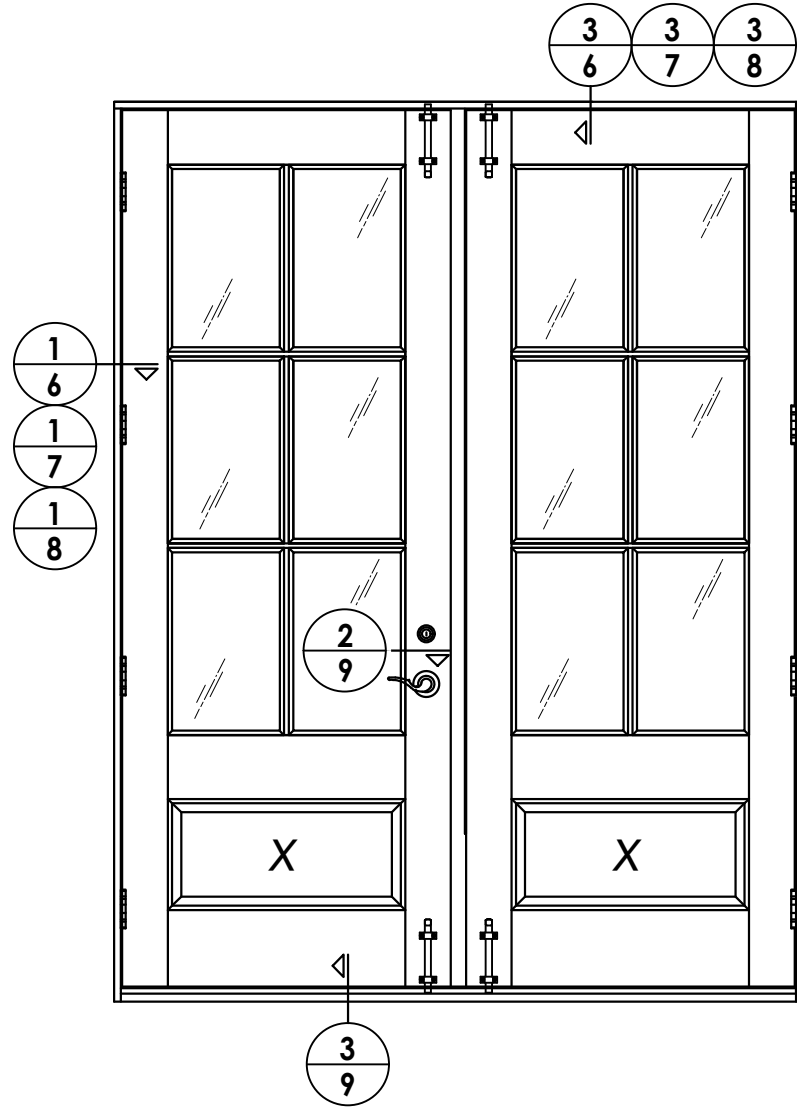
**RW**  
BUILDING CONSULTANTS, INC.  
P.O. Box 230, Valrico, FL 33595  
Phone No.: 813.659.9197  
FBPE Registry No. 9813

PRODUCT: DOORSCAPES  
FIBERGLASS DOOR

PART OR ASSEMBLY:  
DOOR GLAZING  
& PANEL DETAILS

NO.	DATE	REVISIONS
1	8/02/23	UPDATE TO 8TH ED. (2023)
		FBC
		LFS
		BY


DATE: 3/07/22  
SCALE: N.T.S.  
DWG. BY: LFS  
CHK. BY: RW  
DRAWING NO.: FL-28833.3  
SHEET 4 OF 12



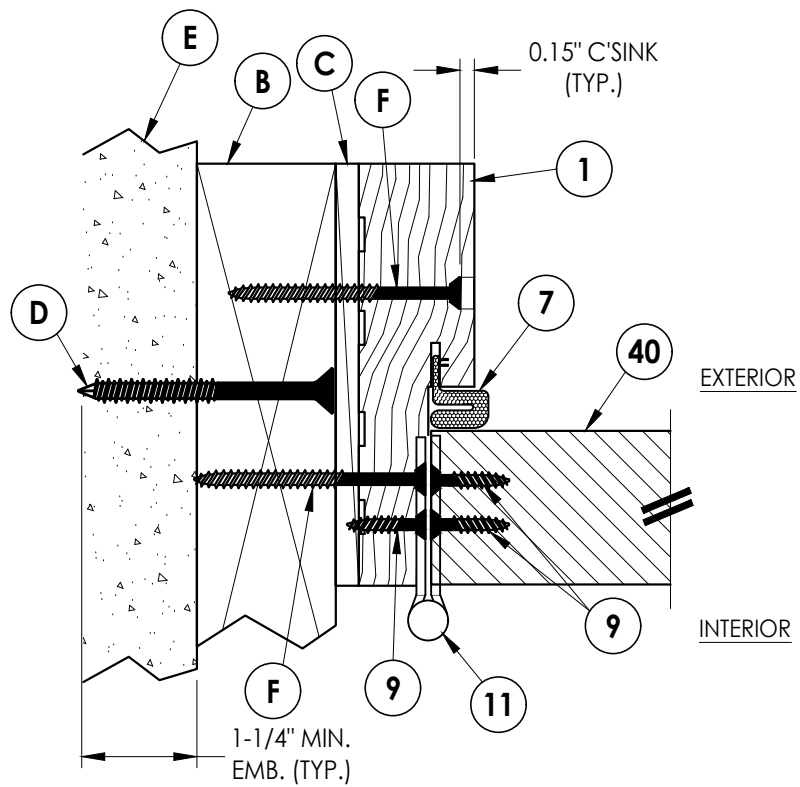
DATE: 3/07/22  
 SCALE: N.T.S.  
 DWG. BY: LFS  
 CHK. BY: RW  
 DRAWING NO.: FL-28833.3  
 SHEET 5 OF 12

NO.	DATE	REVISIONS
1	8/02/23	UPDATE TO 8TH ED. (2023) FBC

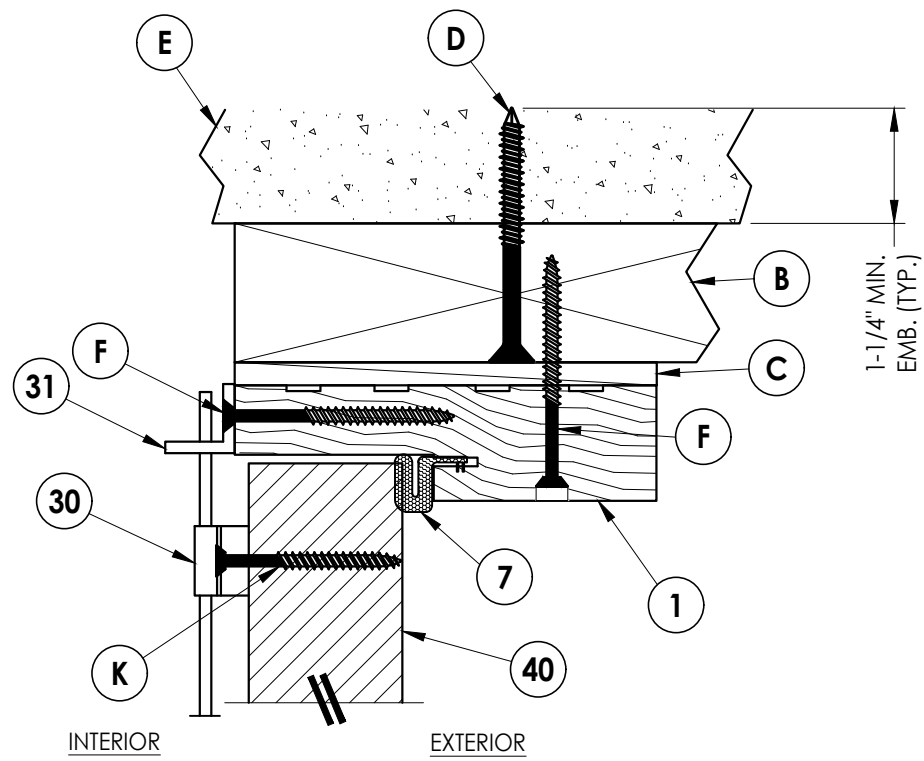
PRODUCT: DOORSCAPES FIBERGLASS DOOR  
 PART OR ASSEMBLY: ELEVATIONS

Documents Prepared By:  
 Lyndon F. Schmidt  
 P.E. No. 43409  
  
 BUILDING CONSULTANTS, INC.  
 P.O. Box 230, Valrico, FL 33595  
 Phone No.: 813.659.9197  
 FBPE Registry No. 9813

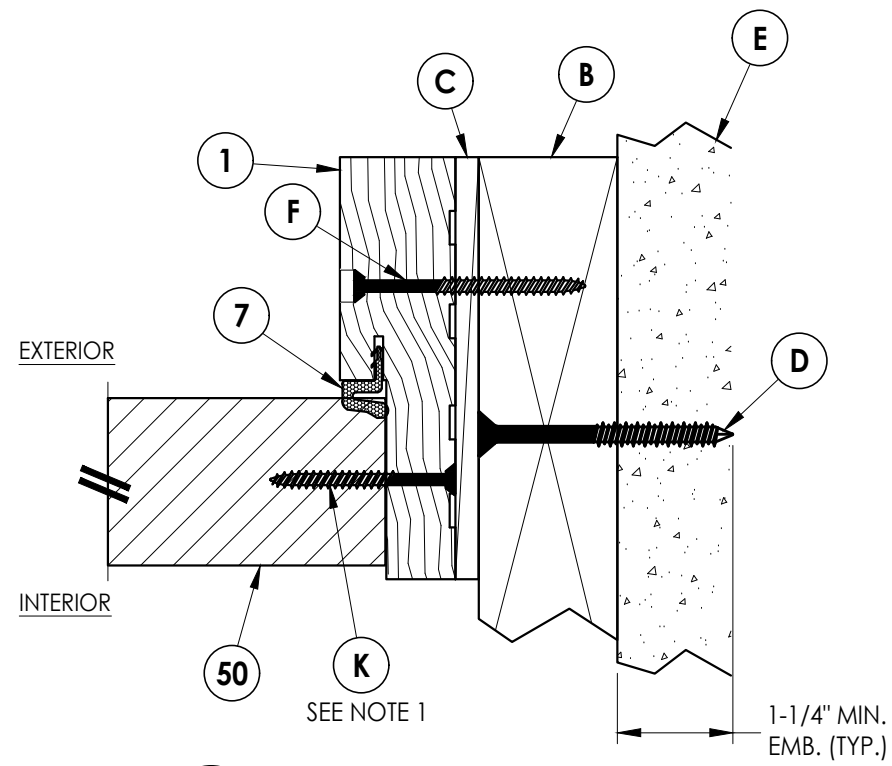
Z:\2023 FBC Drawings\DoorScapes, Inc\FL-28833 R3 Wood Door\FL28833.2-3.dwg



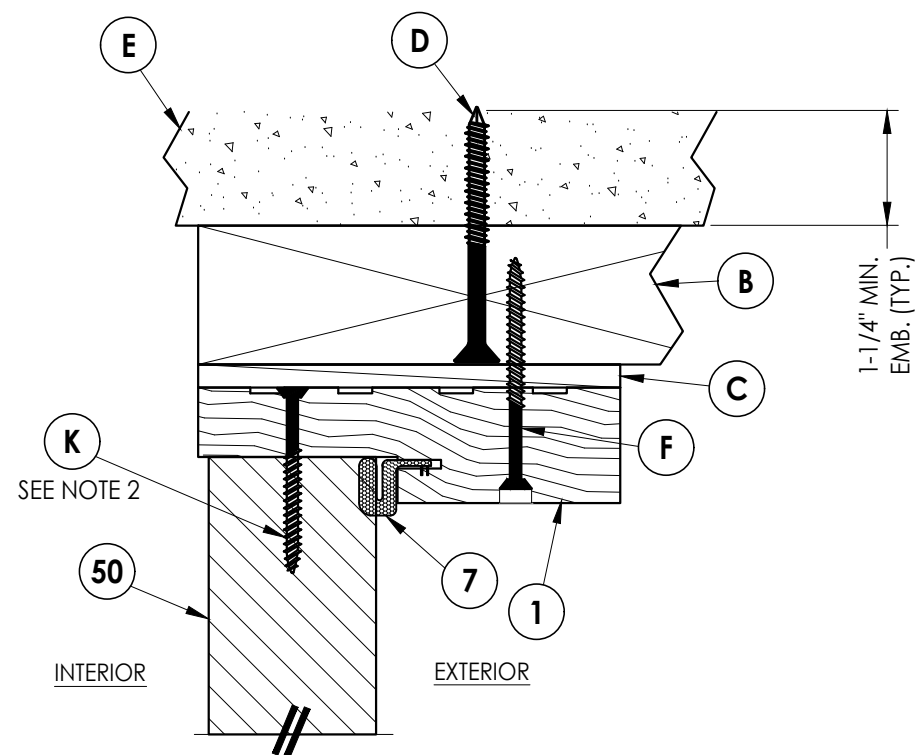
**1**  
**6** **HORIZONTAL CROSS SECTION**  
2X Buck Construction



**3**  
**6** **VERTICAL CROSS SECTION**  
2X Buck Construction



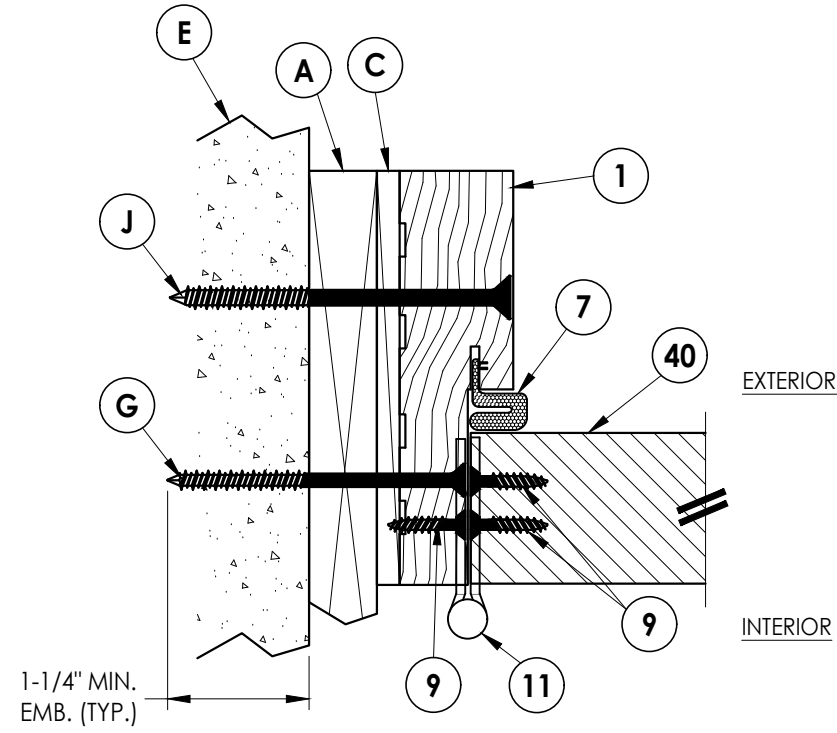
**2**  
**6** **HORIZONTAL CROSS SECTION**  
2X Buck Construction



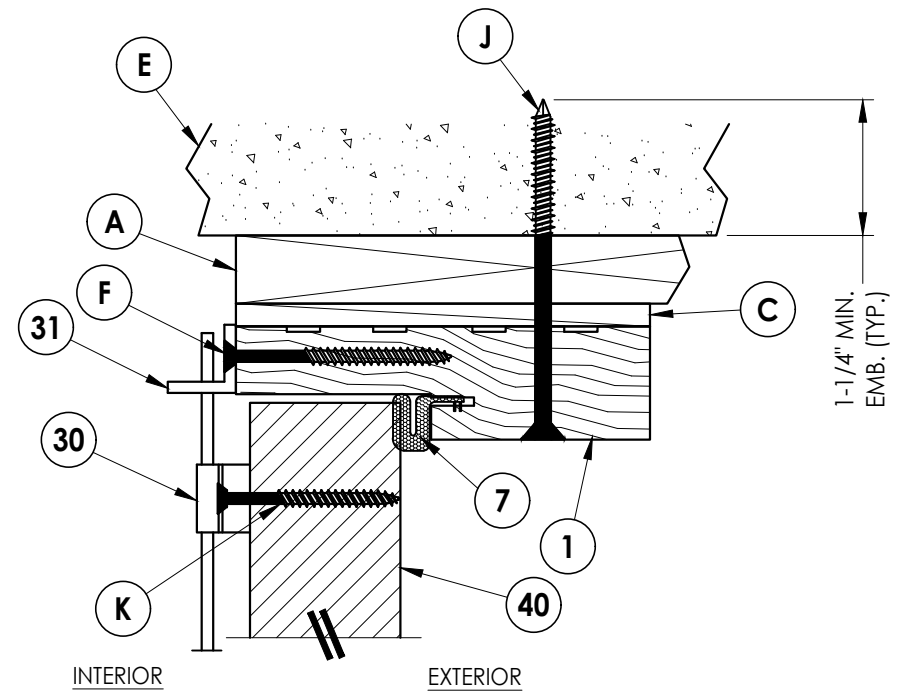
**4**  
**6** **VERTICAL CROSS SECTION**  
2X Buck Construction

**NOTES:**  
1. Sidelite attached @ 4" from each end plus 3 more screws equally spaced between (5 screws total per jamb.)  
2. Sidelite attached @ 3" from each end (2 total).

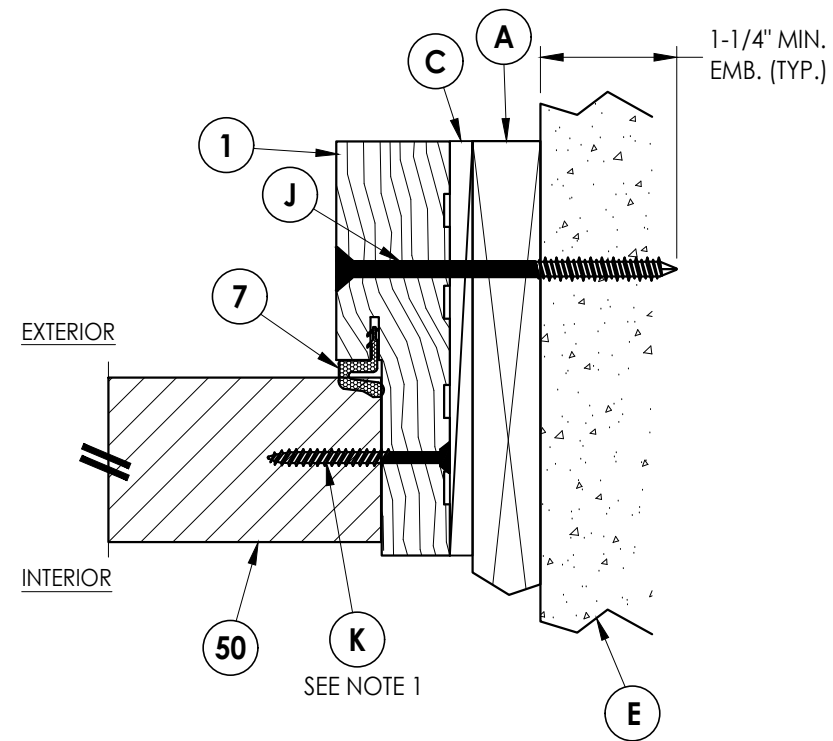
Documents Prepared By: Lyndon F. Schmidt P.E. No. 43409		BUILDING CONSULTANTS, INC. P.O. Box 230, Valrico, FL 33595 Phone No.: 813.659.9197 FBPE Registry No. 9813	
PRODUCT: DOORSCAPES FIBERGLASS DOOR		PART OR ASSEMBLY: HORIZONTAL & VERTICAL CROSS SECTIONS (2X BUCK)	
DATE:	3/07/22	LFS	BY
SCALE:	N.T.S.	1	8/02/23
DWG. BY:	LFS	NO.	DATE
CHK. BY:	RW	REVISIONS	
DRAWING NO.:	FL-28833.3		
SHEET	6	OF	12



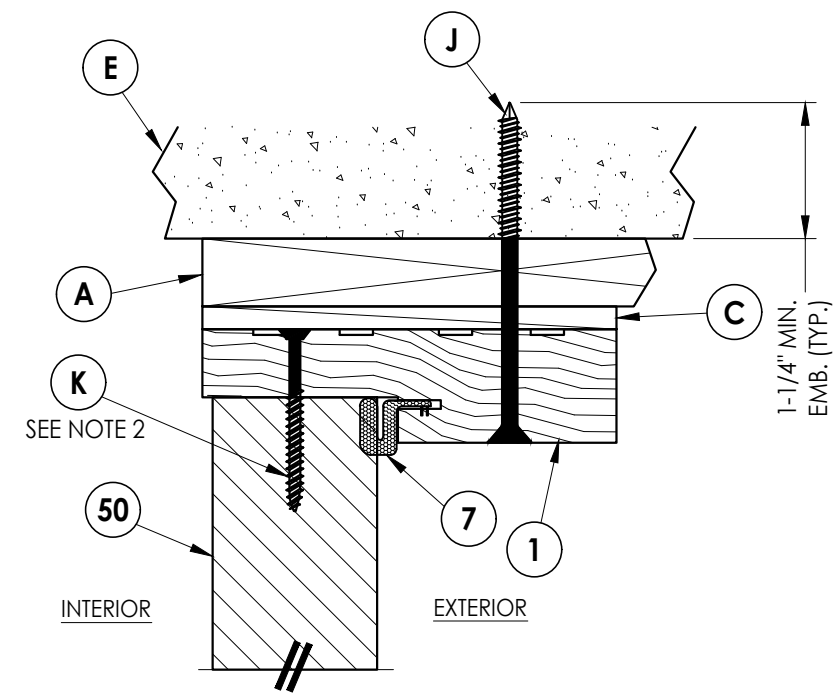
**1 HORIZONTAL CROSS SECTION**  
7 1X Buck Construction



**3 VERTICAL CROSS SECTION**  
7 1X Buck Construction



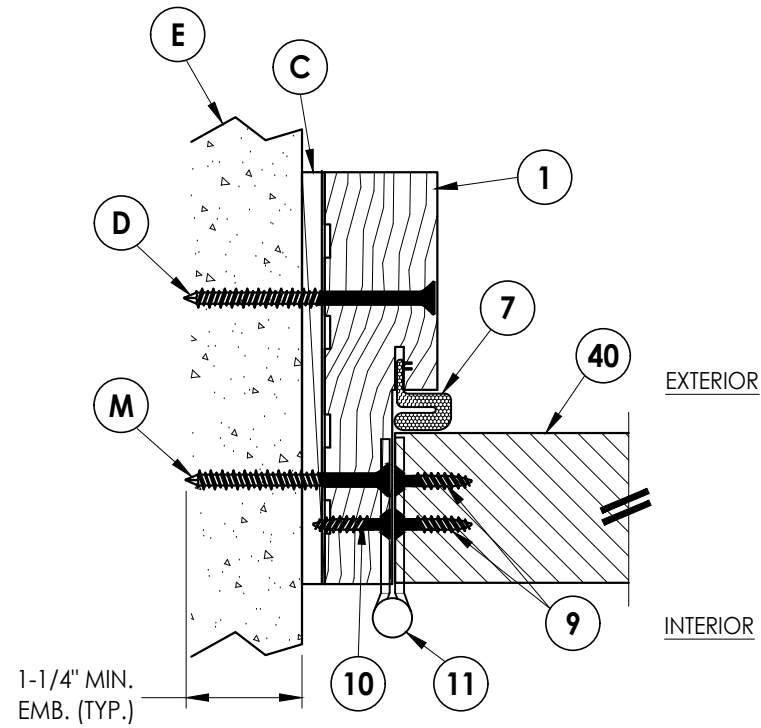
**2 HORIZONTAL CROSS SECTION**  
7 1X Buck Construction



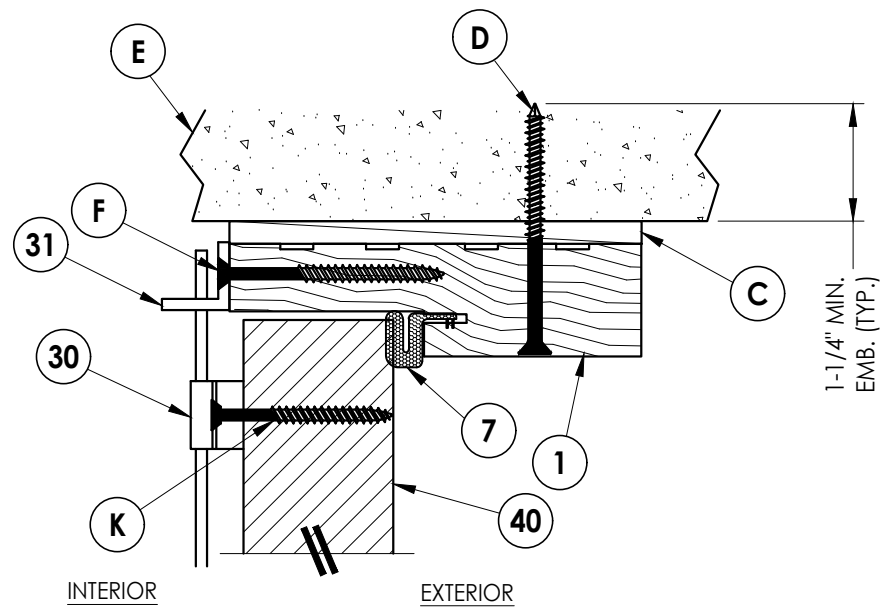
**4 VERTICAL CROSS SECTION**  
7 1X Buck Construction

NOTES:  
1. Sidelite attached @ 4" from each end plus 3 more screws equally spaced between (5 screws total per jamb.)  
2. Sidelite attached @ 3" from each end (2 total).

Documents Prepared By: Lyndon F. Schmidt P.E. No. 43409		BUILDING CONSULTANTS, INC. P.O. Box 230, Valrico, FL 33595 Phone No.: 813.659.9197 FBPE Registry No. 9813	
PRODUCT:	DOORSCAPES FIBERGLASS DOOR	PART OR ASSEMBLY:	HORIZONTAL & VERTICAL CROSS SECTIONS (1X BUCK)
NO.	DATE	BY	REVISIONS
1	8/02/23	LFS	UPDATE TO 8TH ED. (2023) FBC
DATE: 3/07/22		SCALE: N.T.S.	
DWG. BY: LFS		CHK. BY: RW	
DRAWING NO.: FL-28833.3		SHEET 7 OF 12	

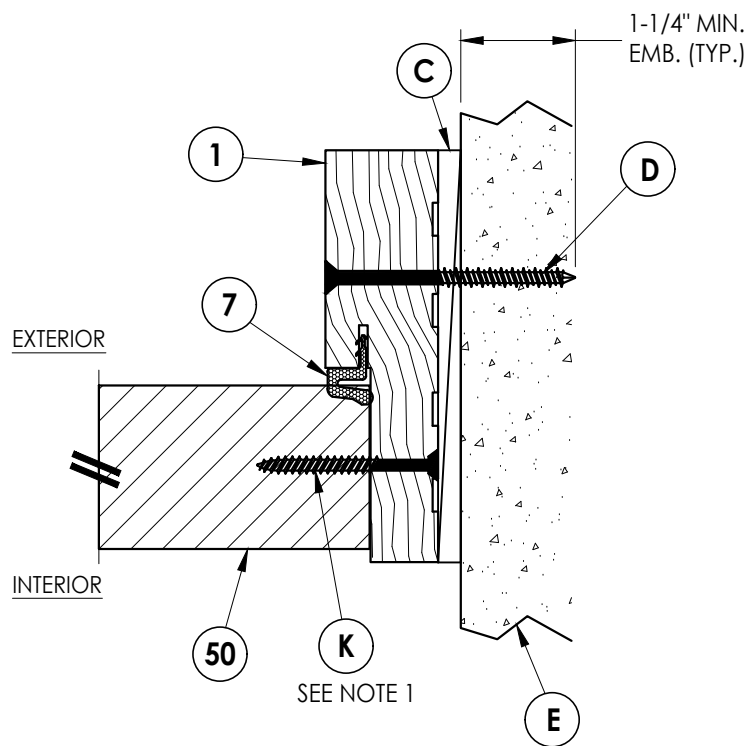


**1** HORIZONTAL CROSS SECTION  
**8** Shown Direct to Masonry

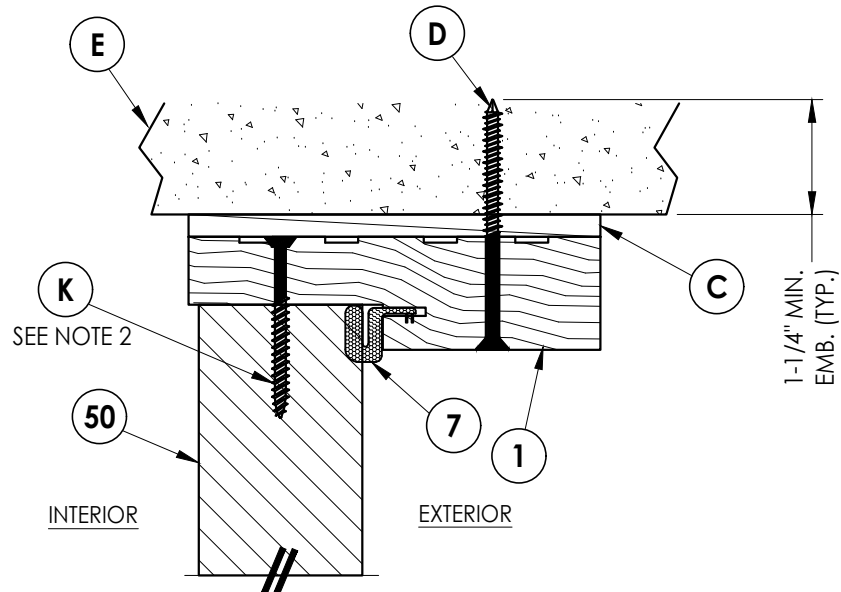


**3** VERTICAL CROSS SECTION  
**8** Shown Direct to Masonry

NOTES:  
 1. Sidelite attached @ 4" from each end plus 3 more screws equally spaced between (5 screws total per jamb.)  
 2. Sidelite attached @ 3" from each end (2 total).



**2** HORIZONTAL CROSS SECTION  
**8** Shown Direct to Masonry



**4** VERTICAL CROSS SECTION  
**8** Shown Direct to Masonry

Documents Prepared By:  
 Lyndon F. Schmidt  
 P.E. No. 43409

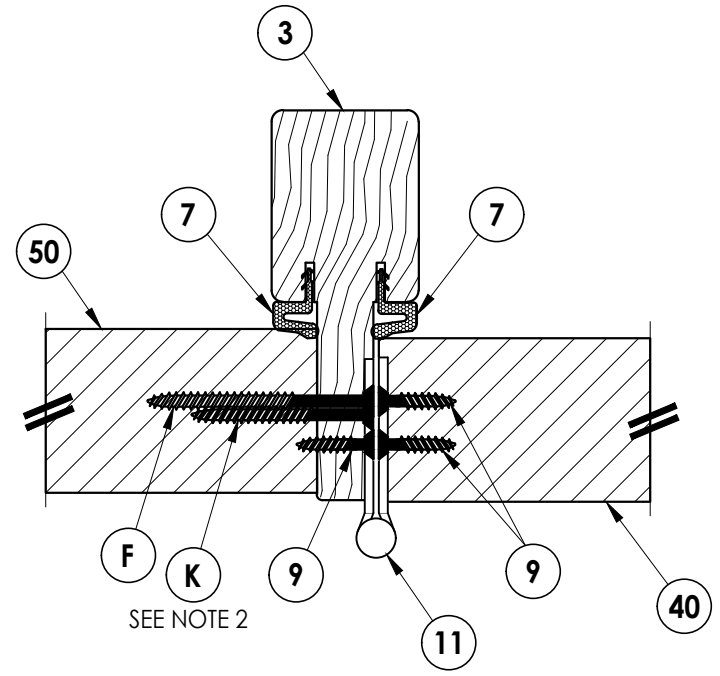
**RW**  
 BUILDING CONSULTANTS, INC.  
 P.O. Box 230, Valrico, FL 33595  
 Phone No.: 813.659.9197  
 FBPE Registry No. 9813

PRODUCT: DOORSCAPES FIBERGLASS DOOR  
 PART OR ASSEMBLY: HORIZONTAL & VERTICAL CROSS SECTIONS (DIRECT TO MASONRY)

NO.	DATE	REVISIONS
1	8/02/23	UPDATE TO 8TH ED. (2023) FBC
		LFS
		BY

DATE: 3/07/22  
 SCALE: N.T.S.  
 DWG. BY: LFS  
 CHK. BY: RW  
 DRAWING NO.: FL-28833.3  
 SHEET 8 OF 12



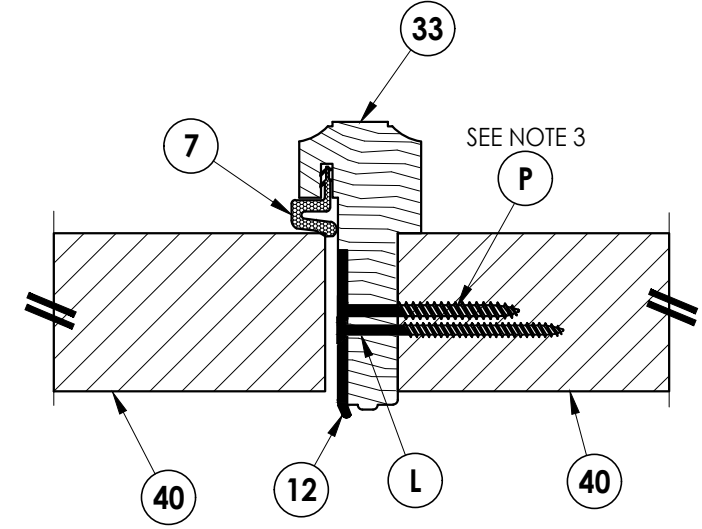


**1**  
**9** HORIZONTAL CROSS SECTION

SEE NOTE 2

EXTERIOR

INTERIOR

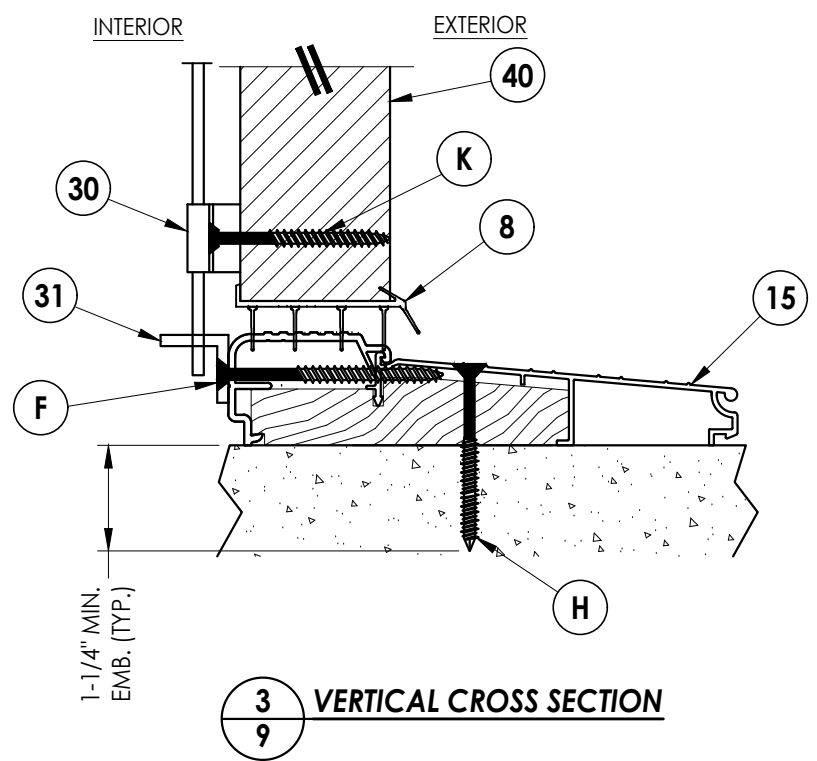


**2**  
**9** HORIZONTAL CROSS SECTION

SEE NOTE 3

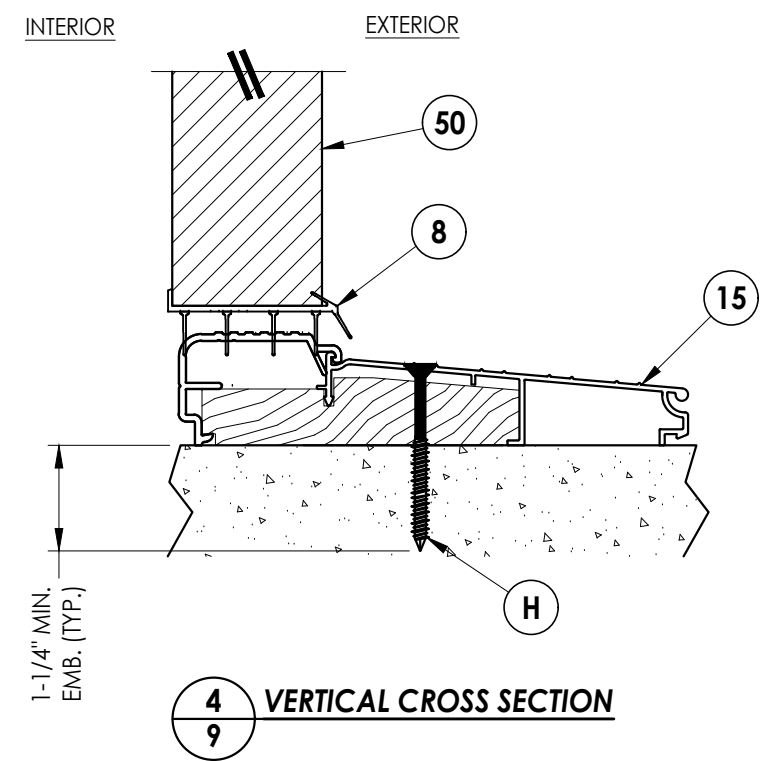
NOTES:

1. Sidelite attached @ 4" from each end plus 3 more screws equally spaced between (5 screws total per jamb.)
2. Sidelite attached w/ 1 screw equally spaced between each hinge (3 screws total per mullion).
3. Astragal attached @ 8" from each end plus 5 more screws equally spaced between (7 screws total).



**3**  
**9** VERTICAL CROSS SECTION

1-1/4" MIN.  
EMB. (TYP.)



**4**  
**9** VERTICAL CROSS SECTION

1-1/4" MIN.  
EMB. (TYP.)

Documents Prepared By:  
Lyndon F. Schmidt  
P.E. No. 43409

**RW** BUILDING CONSULTANTS, INC.  
P.O. Box 230, Valrico, FL 33595  
Phone No.: 813.659.9197  
FBPE Registry No. 9813

PRODUCT: DOORSCAPES  
FIBERGLASS DOOR

PART OR ASSEMBLY:  
HORIZONTAL CROSS  
SECTIONS

NO.	DATE	REVISIONS	BY
1	8/02/23	UPDATE TO 8TH ED. (2023)	FBC

DATE: 3/07/22

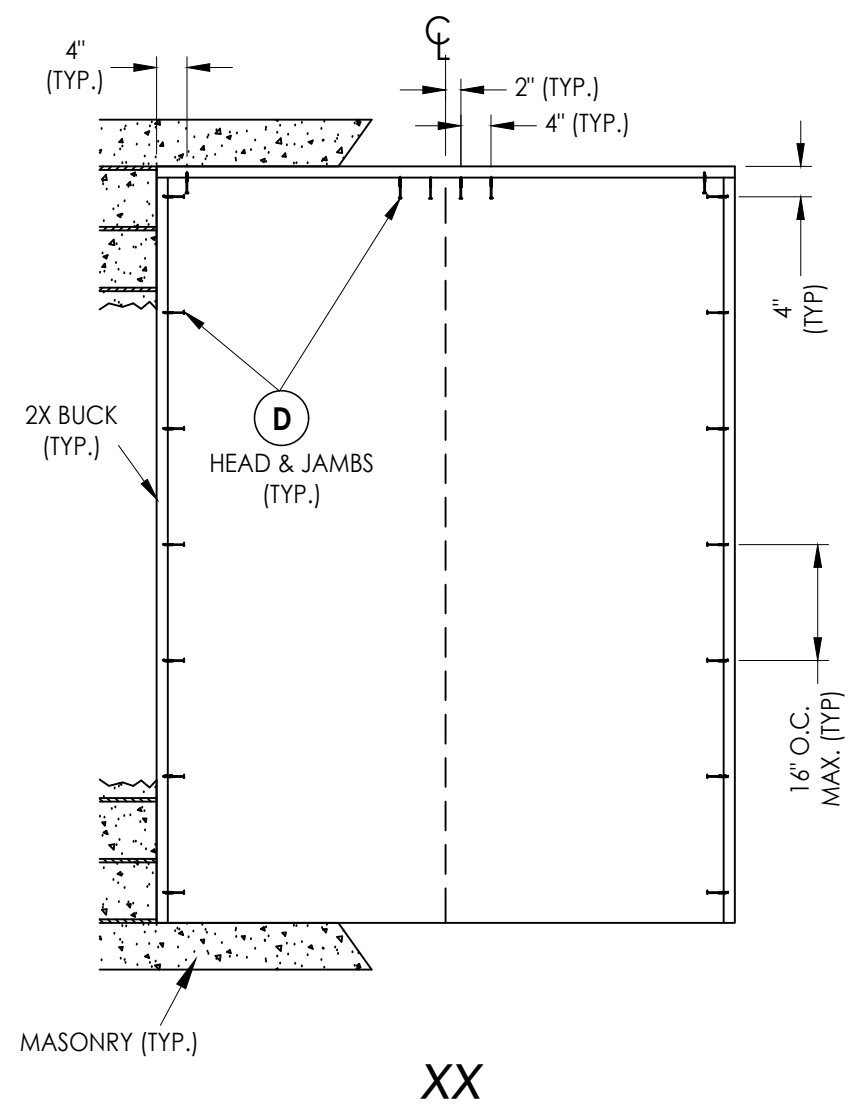
SCALE: N.T.S.

DWG. BY: LFS

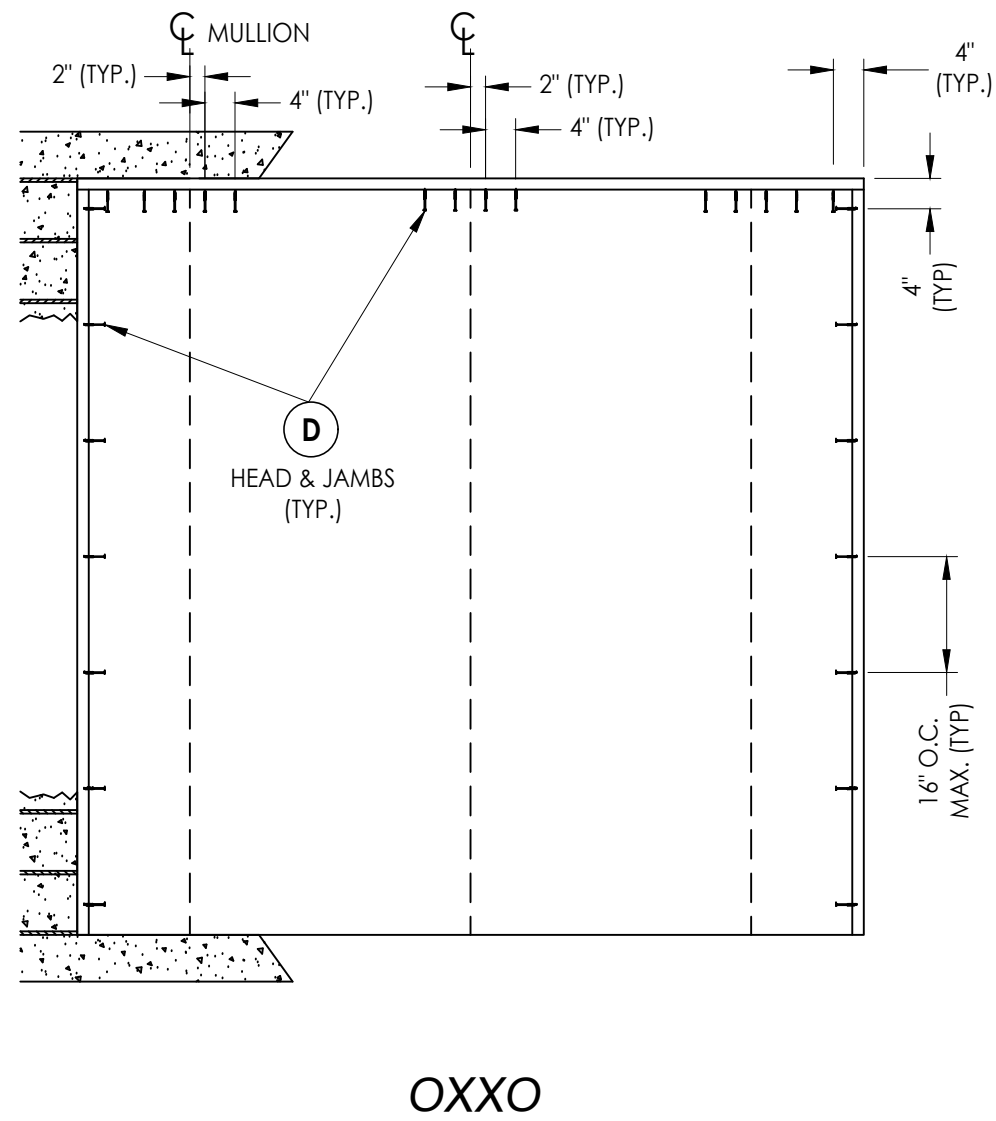
CHK. BY: RW

DRAWING NO.:  
FL-28833.3

SHEET 9 OF 12



**2X BUCK ANCHORING**



DATE: 3/07/22  
 SCALE: N.T.S.  
 DWG. BY: LFS  
 CHK. BY: RW  
 DRAWING NO.: FL-28833.3  
 SHEET 10 OF 12

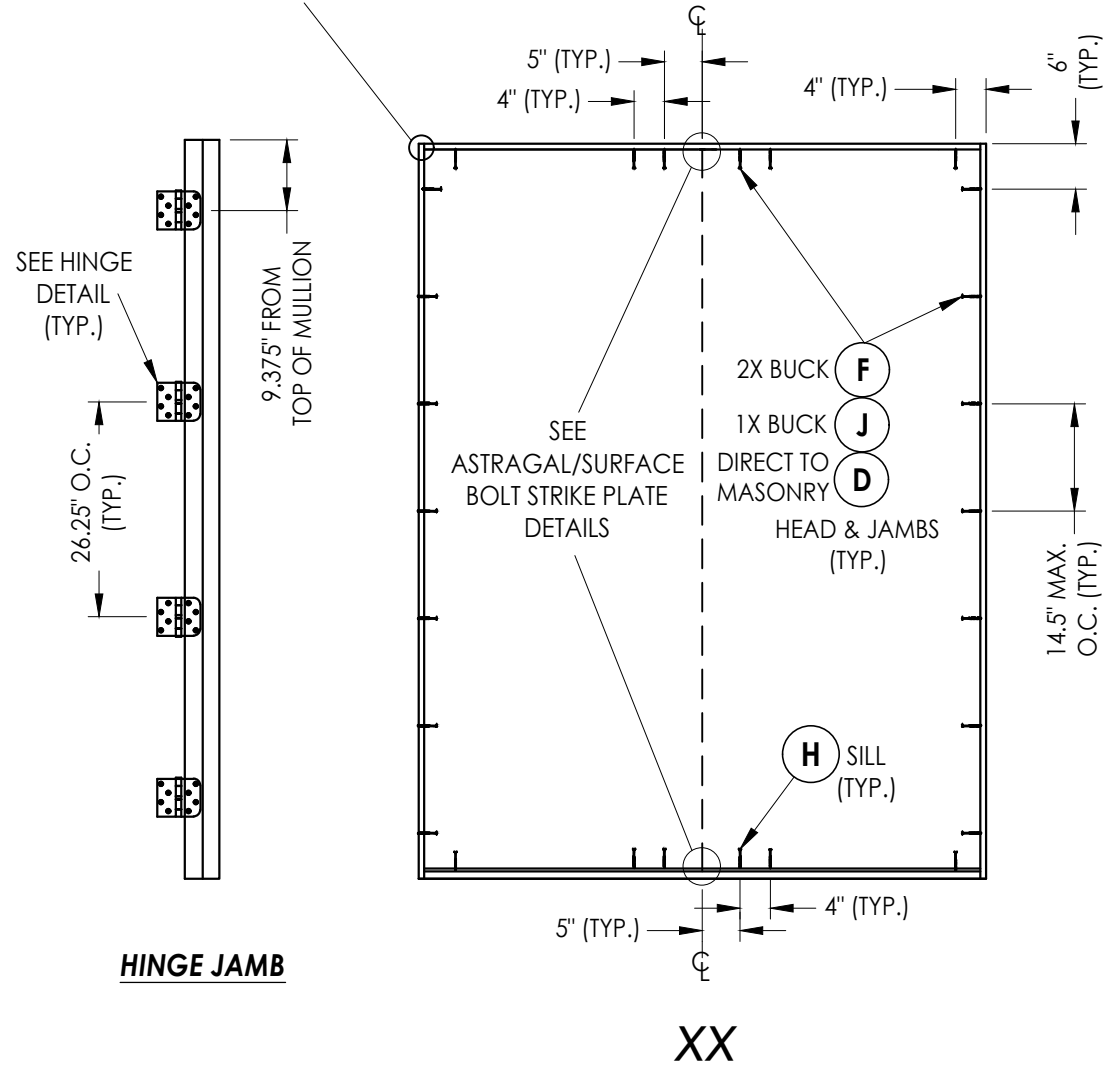
REVISIONS	
NO.	DATE
1	8/02/23
	UPDATE TO 8TH ED. (2023) FBC
	LFS
	BY

PRODUCT: DOORSCAPES FIBERGLASS DOOR  
 PART OR ASSEMBLY: BUCK ANCHORING

Documents Prepared By:  
 Lyndon F. Schmidt  
 P.E. No. 43409

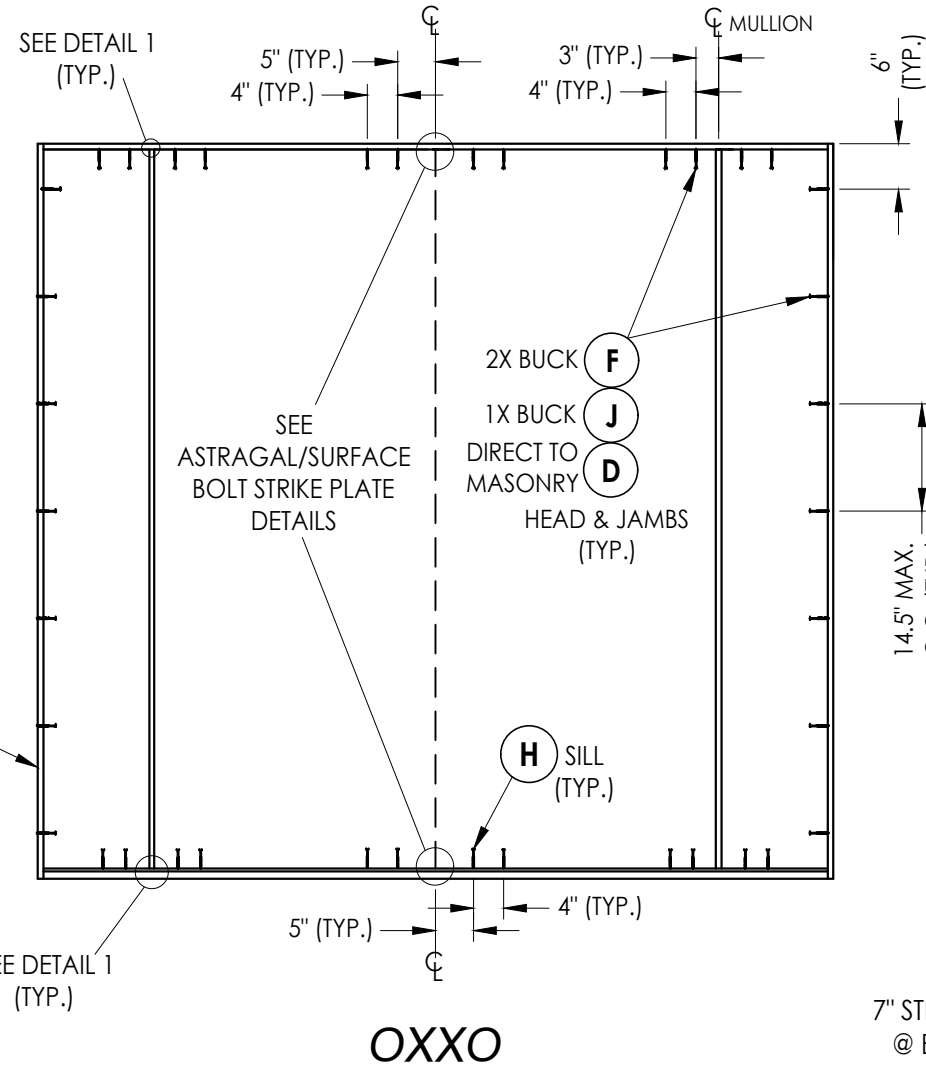
*RW* BUILDING CONSULTANTS, INC.  
 P.O. Box 230, Valrico, FL 33595  
 Phone No.: 813.659.9197  
 FBPE Registry No. 9813

FRAME CORNERS ATTACHED w/  
(3) #10 X 3" TRIM SCREWS (TYP.)



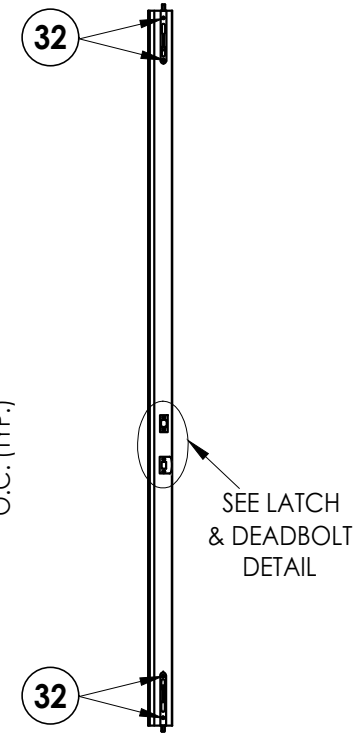
**HINGE JAMB**

**XX**

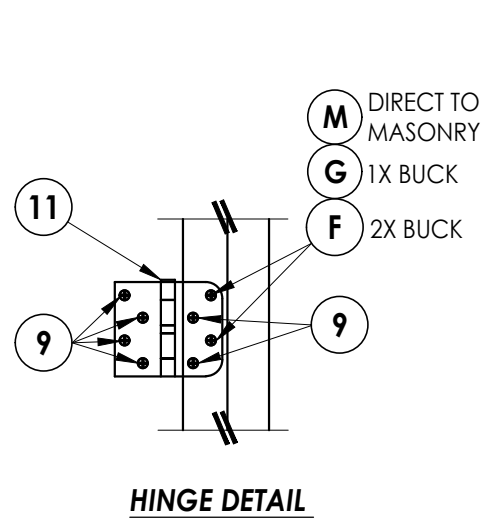


**OXXO**

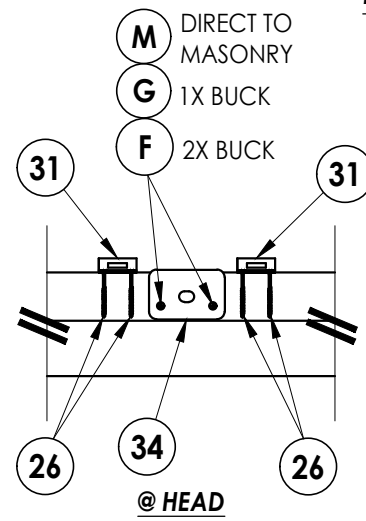
**FRAME ANCHORING**



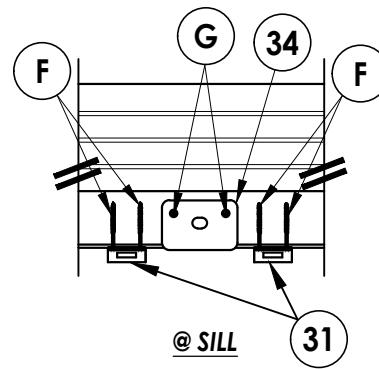
**WOOD ASTRAGAL**  
7" STEEL FLIP LOCK FLUSHBOLT (5/16" Ø)  
@ EACH END OF WOOD ASTRAGAL



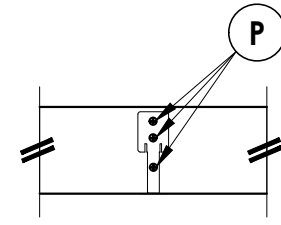
**HINGE DETAIL**



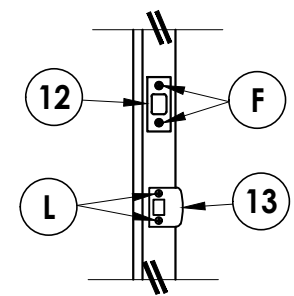
**ASTRAGAL/SURFACE BOLT STRIKE PLATE DETAILS**



**@ SILL**



**DETAIL 1**



**LATCH & DEADBOLT DETAIL**

Documents Prepared By:  
Lyndon F. Schmidt  
P.E. No. 43409

**RW** BUILDING CONSULTANTS, INC.  
P.O. Box 230, Valrico, FL 33595  
Phone No.: 813.659.9197  
FBPE Registry No. 9813

PRODUCT: DOORSCAPES  
FIBERGLASS DOOR

PART OR ASSEMBLY:  
FRAME ANCHORING  
& HARDWARE DETAILS

NO.	DATE	REVISIONS
1	8/02/23	UPDATE TO 8TH ED. (2023) FBC
		LFS
		BY

DATE: 3/07/22  
SCALE: N.T.S.  
DWG. BY: LFS  
CHK. BY: RW  
DRAWING NO.: FL-28833.3  
SHEET 11 OF 12

**BILL OF MATERIALS**

ITEM #	DESCRIPTION	MATERIAL
A	1X BUCK (G >= 0.42)	WOOD
B	2X BUCK (G >= 0.42)	WOOD
C	1/4" MAX. SHIM SPACE	-
D	1/4" X 2-3/4" PFH DeWALT OR ITW CONCRETE SCREW	STEEL
E	MASONRY - 3,000 PSI MIN. CONCRETE CONFORMING TO ACI 301 OR HOLLOW BLOCK CONFORMING TO ASTM C90	CONCRETE
F	#10 X 2-1/2" PFH WOOD SCREW (1.15" MIN. EMBEDMENT)	STEEL
G	3/16" X 3-1/4" PFH ITW CONCRETE SCREW	STEEL
H	1/4" X 2-1/4" PFH DeWALT OR ITW CONCRETE SCREW	STEEL
J	1/4" X 3-3/4" PFH DeWALT OR ITW CONCRETE SCREW	STEEL
K	#10 X 2" PFH WOOD SCREW	STEEL
L	#8 X 2-1/2" PFH WOOD SCREW	STEEL
M	3/16" X 2-1/4" PFH ITW CONCRETE SCREW	STEEL
P	#7 X 2" DRYWALL SCREW	STEEL
1	JAMB (PINE, G >= 0.4)	WOOD
3	INTEGRAL MULLION (PINE, G >= 0.4)	WOOD
7	WEATHERSTRIP	FOAM
8	DOOR/SIDELITE BOTTOM SWEEP	VINYL
9	#9 X 3/4" PFH WOOD SCREW	STEEL
11	4" X 4" BUTT HINGE	STEEL
12	LATCH STRIKE PLATE	STEEL
13	DEADBOLT STRIKE PLATE	STEEL
15	INSWING THRESHOLD (AFCO A-280)	ALUM/WOOD
30	8" SURFACE BOLTS (HAGER 275D)	STEEL
31	SURFACE BOLT GUIDE PLATE	STEEL
32	#8 X 2-1/2" FH SMS	STEEL
33	WOOD ASTRAGAL (PINE, G >= 0.4)	WOOD
34	ASTRAGAL STRIKE PLATE	STEEL
40	DOOR PANEL - SEE DOOR PANEL DETAIL SHEET FOR DETAILS	-
50	SIDELITE PANEL - SEE SIDELITE PANEL DETAIL SHEET FOR DETAILS	-

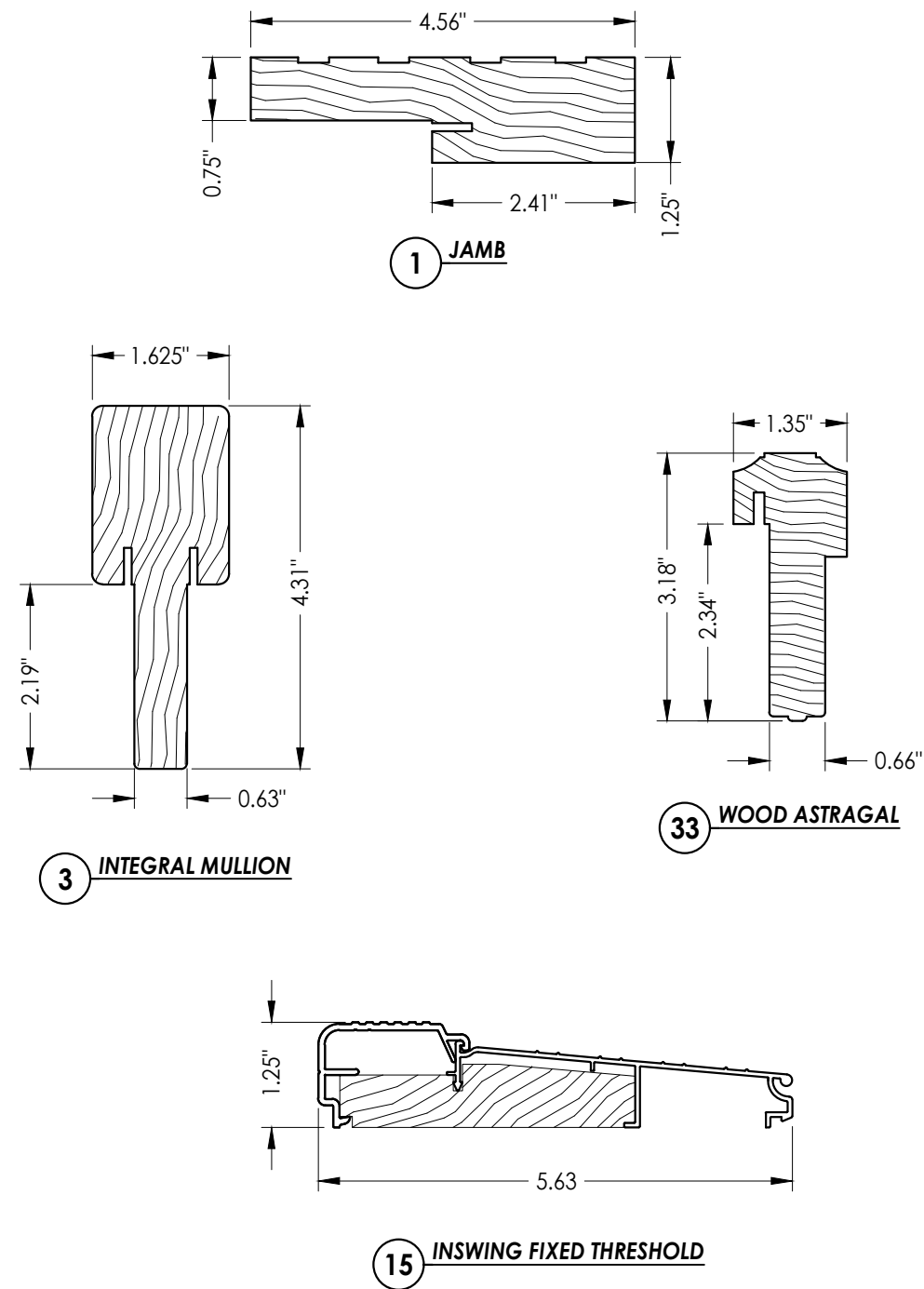
CONCRETE ANCHOR NOTES:

- Concrete anchor locations at the corners may be adjusted to maintain the min. edge distance to mortar joints.
- Concrete anchor locations noted as "MAX. ON CENTER" must be adjusted to maintain the min. edge distance to mortar joints, additional concrete anchors may be required to ensure the "MAX. ON CENTER" dimension are not exceeded.
- Concrete anchor table:

ANCHOR TYPE	ANCHOR SIZE	MIN. EMBEDMENT	MIN. CLEARANCE TO MASONRY EDGE	MIN. CLEARANCE TO ADJACENT ANCHOR
ITW BUILDDEX TAPCON®	3/16"	1-1/4"	3"	1-1/2"
	1/4"	1-1/4"	2"	4"
DeWALT ULTRACON®	1/4"	1-1/4"	1"	4"

WOOD SCREW INSTALLATION NOTES:

- Maintain a minimum 5/8" edge distance, 1" end distance, & 1" o.c. spacing of wood screws to prevent the splitting of wood.



Documents Prepared By:  
Lyndon F. Schmidt  
P.E. No. 43409

**RW**  
BUILDING CONSULTANTS, INC.  
P.O. Box 230, Valrico, FL 33595  
Phone No.: 813.659.9197  
FBPE Registry No. 9813

PRODUCT: DOORSCAPES  
FIBERGLASS DOOR

PART OR ASSEMBLY:  
BILL OF MATERIALS  
& COMPONENTS

NO.	DATE	REVISIONS
1	8/02/23	UPDATE TO 8TH ED. (2023) FBC
		LFS
		BY

DATE: 3/07/22

SCALE: N.T.S.

DWG. BY: LFS

CHK. BY: RW

DRAWING NO.:  
FL-28833.3

SHEET 12 OF 12